

# Jetstream® 6000 Series

## 600 Horsepower Bareshaft Pump



Jetstream is pleased to introduce the new 6000 Series 600HP Bareshaft Pump, providing the powerful performance and dependable reliability needed to meet heavy-duty demands of continuous operation while keeping maintenance to a minimum. Combining industry-leading consultative solutions and a simple-to-operate and maintain design, our flexible, easily-configurable unit efficiently meets your needs in any application.

#### UNx® Fluid End:

- In-line uni-valve cartridge
- Swing-down manifold for full component access
- Uni-pak plunger packing set
- Convert to various pressures in the field with minimal downtime
- Engine driven charge pump to ensure the fluid end receives water at the correct pressure, regardless of the supply conditions
- Advanced trunnion design for superior support
- Precision-machined valve seat and stuffing boxes
- High water temperature operation

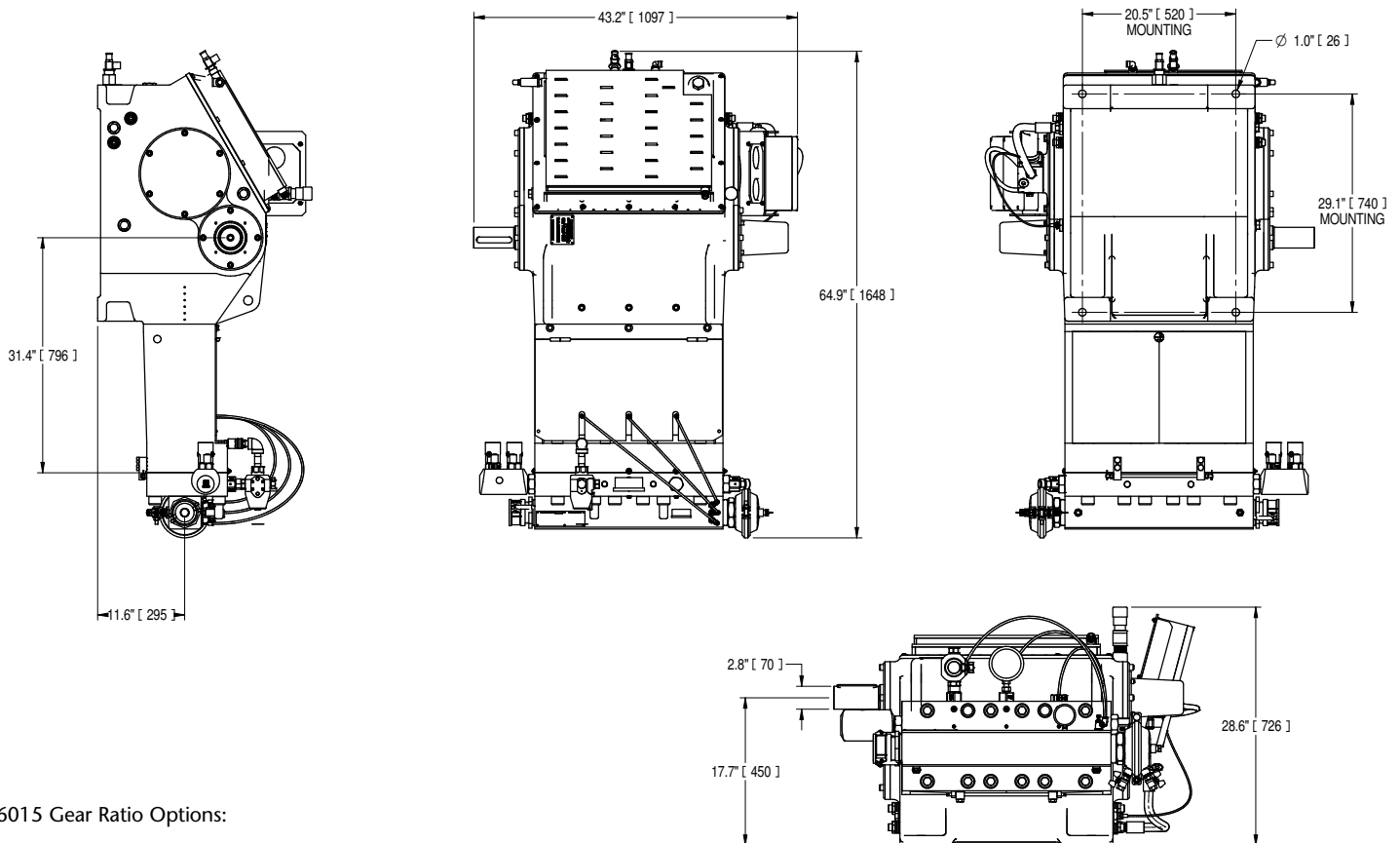
#### Long-Life Power End:

- Compact design with internal gear reduction
- Pressure lubricated
- Integrated filter and magnet in the oil flow path to ensure a clean oil supply
- Water loop cooling to prevent overheating in all weather conditions
- Protection for the power end through low oil pressure and high-temperature switches

# Jetstream® 6000 Series Pump

## 600 Horsepower Bareshaft Pump

Fluid End Plunger Size	Operating Pressure		Pump Flow	
	psi	bar	gpm	lpm
#13	20,000	1379	46.1	174.5
#15	15,000	1034	61.7	234
#16	14,500	1000	64.1	243
#19	10,000	689	92.7	351
#21	8,000	551	115.4	437



### 6015 Gear Ratio Options:

- 3.96:1- Left Hand Input or Right Hand Input
- 4.60:1- Left Hand Input or Right Hand Input