



Twin Force™

Dual Pump 650 HP Unit

Heavy Duty, High-Horsepower, High-Flow
Waterblast Unit



Jetstream® TwinForce™

The 6000 series waterblasting system from Jetstream has now grown with the addition of the TwinForce DUAL PUMP 650 HP UNIT.

This series was engineered to outperform other high-flow units through superior durability, enhanced performance and undeniable reliability. With the design of this dual 650 HP system, Jetstream provides a multi-functional product to enhance the utilization of a two waterblasting units on one single trailer.

Like all Jetstream waterblast systems, the TwinForce 650 HP unit is built around the UNx® fluid end: the most efficient, easy-to-use, and versatile waterblast system available.

The TwinForce provides the ability to function as a large capacity 650 HP unit, a single 325 HP unit with the second unit used as a back-up or as two independently run units. The versatility is endless and can provide assistance to any application.



Dual Pressure Control Station



Dual Fuel Tanks



Dual Water Filters

Dual Pump 650 HP Waterblaster

Dual Slave Sealed Control Panels

- Two control panels located next to each unit (total 4)
- Full instrumentation at your fingertips: hour meter, tachometer, oil pressure, voltmeter, water temperature



UNx® Fluid End

Jetstream's patented system designed for fast conversion from 8,000 to 40,000 PSI operating pressures

High Flow Rates

Vastly large gpm flow rates for high-capacity applications when utilizing the 650 HP

Hydro-Throttle Control (Optional)

- Saves fuel and engine wear
- Manual throttle override to maintain set engine speed

Dual High-Capacity Fuel Tanks

- Reduced dry weight
- Resists corrosion
- Longer runs between refueling

Dual Water Filters

- Dual 200 gpm stainless steel water filters for each unit (total 4)
- Water to be provided from an external source

Dual Pressure Control Station

A single location to view the pressure from both pumps

Powerband Belt Drive

- Dual five belt bands
- High torque carrying capabilities

Power End Dependability

- Ductile iron power frame
- Largest bearings in the industry
- High-strength crankshaft

Pump Access

Unobstructed access to both fluid ends for performing pressure conversions or routine maintenance

High-Performance Diesel Engines

Open power unit keeps engine cooler and provides easy access for maintenance

Diesel Specifications

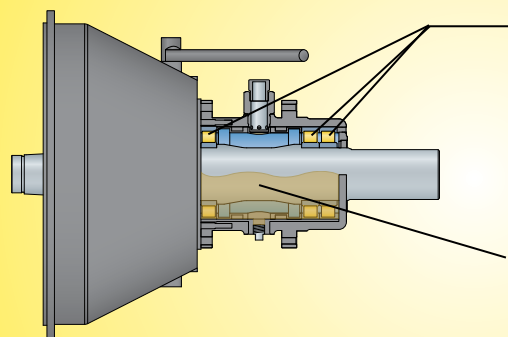
650 HP (Dual Units Combined)

Pressure (psi)	8,000	9,500	12,500	15,000	20,000	20,000	40,000
Plunger Size (no.)	16	15	13	12	11	10	8
Flow (gpm)	125.4	100.8	80.4	65.0	50.4	42.8	23.8

325 HP (Units Run Individually)

Pressure (psi)	8,000	9,500	12,500	15,000	20,000	20,000	40,000
Plunger Size (no.)	16	15	13	12	11	10	8
Flow (gpm)	62.7	50.4	40.2	32.5	25.2	21.4	11.9

Greaseless Spread Bearing PTO



Large Spread Bearings

- opposing roller bearings provide reliable power transmission
- no pilot bearing — the "weakest link" in typical PTO's

Oil Bath Lubrication

- no daily greasing
- changed with engine oil

Heavy-duty bearings (spaced widely apart) and oil-bath lubrication differentiate this spread bearing PTO from the typical pilot bearing model. This field proven design offers highly reliable power transmission and reduced maintenance time. Now daily greasing is eliminated in favor of regular oil changes.



Subsidiary of Federal Signal Corporation

www.waterblast.com

(832) 590-1300 • (800) 231-8192

The UNx Fluid End® Advantage

Contractors who live and breathe high-pressure water blasting demand the superior performance, durability, and flexibility of the UNx fluid end system. For ease-of-maintenance, in-the-field versatility, or overall operating efficiency, nothing beats the UNx system.

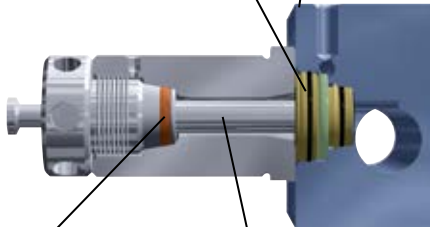
Engineered components streamline routine maintenance. Operating pressures can be changed in minutes — from 8,000 to 40,000 PSI — with the interchangeable UNx fluid end design.

Uni-Valve Cartridge

- Self-contained suction and discharge valve assembly
- Slip-fit for easy maintenance
- In-line design minimizes turbulence

Swing-Down Manifold

- Easy access to valves
- Weep holes indicate source of seal leaks



Plunger Packing Set

- One-piece packing
- Tapered for easy removal
- Water lubricated — no oil

Clamp-Style Plungers

- Specifically designed for the rigors associated with each operating pressure
- Clamp-on design for easy maintenance

Fewer Parts, Fewer Problems



Jetstream



the others

Extremely Serviceable



Fewer parts, faster servicing. No special tools required.

- 5-minute packing change
- 15-minute valve cartridge change

Remarkably Versatile



Various applications in less time with one convertible system.

- On-site pressure conversion
- Slip-fit stuffing boxes
- Simple bolt-on conversion fluid ends

Accessories

As a leading provider of hands-free waterblasting solutions, Jetstream manufactures industrial high-pressure waterblasting equipment operated at pressures up to 40,000 psi for a wide range of applications, including hydro-demolition, industrial cleaning and surface preparation. Backed by strong after sales service and support, Jetstream product offerings include a complete line of skid- and trailer-mounted pump units, control guns, valves, hoses, replacement parts and nozzles. Contact Jetstream for the latest accessories catalogs.

The RightStart® program provides personal training with the purchase of your new waterblaster. Classroom and hands-on instruction by a RightStart technician helps your operators learn to use your new equipment with optimum efficiency and safety right from the start.



Jetstream products are also sold and serviced by FS Solutions, with 11 convenient locations across the U.S. FS Solutions provides high-performance parts, accessories, Jetstream rentals, repair, rebuild and safety and skills training. fssolutionsgroup.com

Gonzales, LA
225.647.0660

Highland, IN
219.924.3180

Lakewood, WA
253.584.0653

LaPorte, TX
281.674.8668

Streator, IL
815.672.6028

Toledo, OH
888.415.7368

Williston, ND
701.572.7421

Leeds, AL
800.822.8785

Lexington, SC
803.996.0741

Long Beach, CA
866.515.989

New Brunswick, NJ
732.448.7830

Midland, TX
732.448.7830

Edmonton, AB
780.955.3030

Jetstream of Houston, LLP

5905 Thomas Rd. • Houston, TX 77041

Phone: (832) 590-1300 • Fax: (832) 590-1304 • Toll Free: (800) 231-8192

www.waterblast.com