

CONTROL GUNS

Control guns are a necessity in any hand lancing application. Jetstream offers several options control guns for 20,000 psi waterblasting.

DURASAFE (STANDARD AND FIELD-REPAIRABLE) HAND GUNS

Designed with safety, comfort and simplicity in mind, the 20,000 psi control guns are used for a variety of surface cleaning applications. The DCP models feature fully adjustable body pads for maximum operator comfort in any position (shoulder, hip, chest, etc.). The DCPx models showcase an ergonomically designed shoulder stock. In addition to the standard welded guns, Jetstream offers a field repairable option for barrel replacement to be performed in the field. Both standard and field repairable guns are offered in single or dual trigger, dump or shut-in style and color-coded.

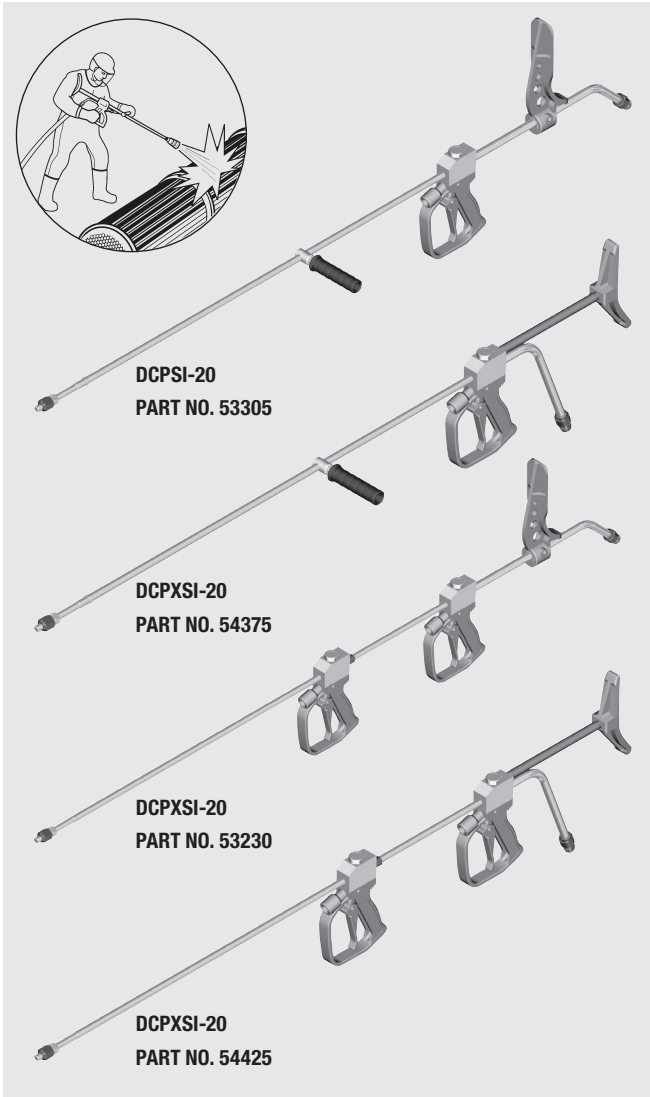
ZERO-THRUST

The Zero-Thrust gun is designed for underwater cleaning in a marine environment, primarily. Due to no thrust, the operator is able to sustain a standard distance from the material needed to be cleaned without being propelled away.

DURASAFE FOOT GUNS

The Durasafe foot gun is ideal for numerous tube cleaning applications. A recent upgrade was the larger opening for easier boot clearance, which is now standard on all Jetstream foot guns. Both dump or shut-in style and color-coding is available on the foot guns.

- Fast field replaceable cartridge design for minimal downtime
- All pressure bearing components are stainless steel
- Zinc-plated base and cage for corrosion resistance



DURASAFE™ HAND GUNS DUMP STYLE

DuraSafe™ 20,000 psi hand-operated dump style control guns allow the operator to have complete control of the pressure at all times. Designed with safety, comfort, and simplicity in mind, they are used for a variety of surface cleaning applications and are available in four standard configurations.

- 30 second field replaceable cartridge design for minimal downtime.
- 48" distance from primary trigger to end of barrel to ensure maximum operator safety.**
- Lightweight.
- DCP models feature fully adjustable body pad for maximum operator comfort in any position (shoulder, hip, chest, etc.), while an ergonomically designed shoulder stock is included with DCPx models.
- Adjustable secondary grip included with single trigger models.
- Dual trigger models require both triggers to be engaged in order to build system pressure for maximum operator safety.
- All pressure-bearing components are stainless steel.
- Equipped with holder for single nozzle. Ideal for use with the Jetstream Orbi-Jet self-rotating nozzles.

GUNS

STANDARD, WELDED GUNS									
PART NO.	MODEL	TRIGGER ACTUATION	REST TYPE	INLET CONNECTION*	OUTLET CONNECTION	LENGTH**		MAX. OPERATING PRESSURE	
						in	mm	psi	bar
53305	DCP-20	Single	Body Pad	20K Port Male	9/16" MP Male	71	180	20,000	1,379
54375	DCPx-20	Single	Shoulder Stock			66	167	20,000	1,379
53230	DCP-20DD	Dual	Body Pad			75	190	20,000	1,379
54425	DCPx-20D	Dual	Shoulder Stock			70	177	20,000	1,379
FULLY FIELD REPAIRABLE GUN									
56988	FR-20SD	Single	Shoulder Stock	9/16" MP	9/16" MP Male	66	167	20,000	1,379
BLUE COLOR CODED – FULLY FIELD REPAIRABLE GUN									
61422	FR-20SD	Single	Shoulder Stock	9/16" MP	9/16" MP Male	66	167	20,000	1,379

*Adapters available for other connection types. See details on all connection types beginning on page I-2.

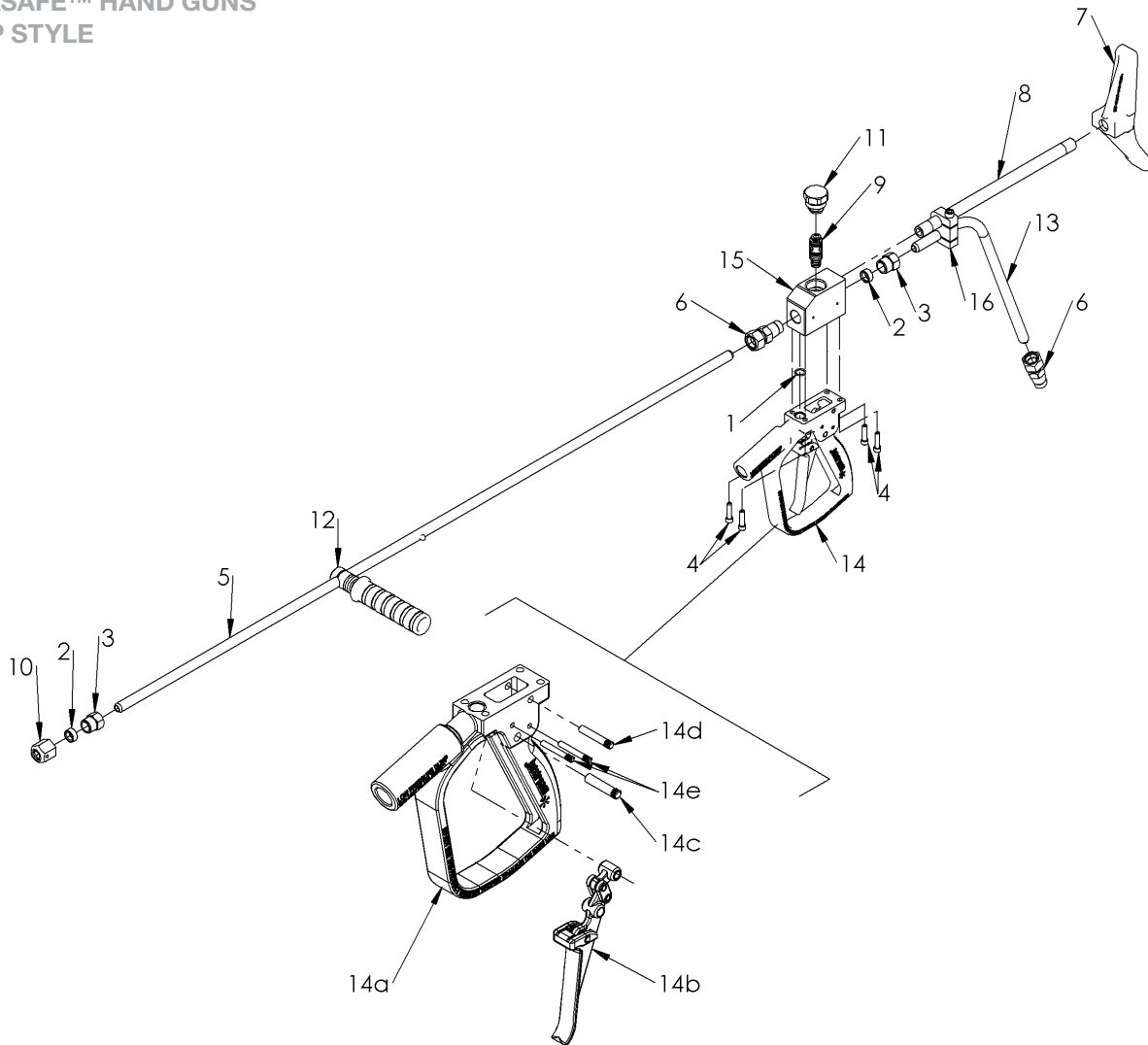
**Custom length barrels available. Call factory for information.

GUNS

20,000 PSI



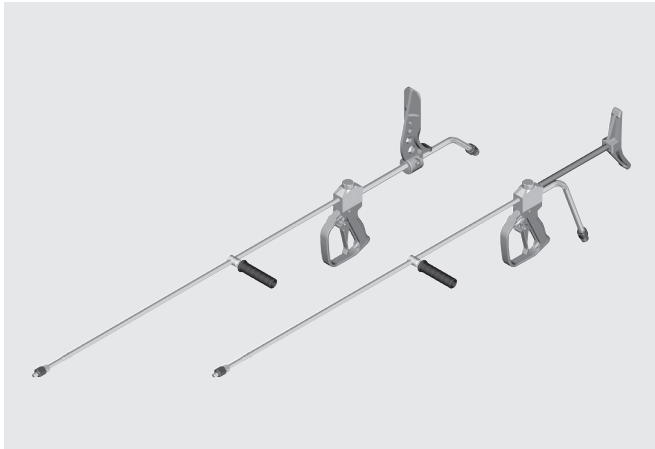
DURASAFE™ HAND GUNS DUMP STYLE



PART BREAKDOWN

ITEM	PART NO.	DESCRIPTION	ITEM	PART NO.	DESCRIPTION
1	25193	O-Ring	12	53464	Grip Assembly
2	26635	Collar	13	57065	Rear Barrel
3	26645	Gland	14	57956	Handle Assembly
4	26689	Capscrew	14a	57951	Handle
5	27968-48	Front Panel, 48"	14b	59388	Assemble
6	28268	Anti-Vibe Adapter	14c	25295	Pin
7	50124	Shoulder Stock	14d	26116	Pin, Pivot
8	50127	Shoulder Stock Extension	14e	57954	Pin, Trigger
9	51869	Cartridge	15	J55768	Body
10	51874	Nozzle Sleeve	16	61881	Clamp Assembly
11	53175	Cartridge Plug			

GUNS



DURASAFE™ HAND GUNS SHUT-IN STYLE

DuraSafe™ 20,000 psi hand-operated shut-in style control guns allow the operator to have complete control of the pressure at all times. Designed with safety, comfort, and simplicity in mind, they are used for a variety of surface cleaning applications and are available in standard configurations.

- Shut-in style control guns do not dump water when the trigger is released. Useful in applications where excess water spillage and disposal are concerns. Use with plunger style pumps such as the UNx™ require the installation of a Shut-In Regulator Valve (see page C-12).
- 30 second field replaceable cartridge design for minimal downtime.
- 48" distance from primary trigger to end of barrel to ensure maximum operator safety.**
- Lightweight.
- DCPSi model features a fully adjustable body pad for maximum operator comfort in any position (shoulder, hip, chest, etc.)
- DCPxSi model includes an ergonomically designed shoulder stock.
- Adjustable secondary hand grip.
- All pressure-bearing components are stainless steel.
- Equipped with holder for single nozzle. Ideal for use with the Jetstream Orbi-Jet self-rotating nozzles.

PART NO.	MODEL	REST TYPE	INLET CONNECTION*	OUTLET (NOZZLE) CONNECTION	LENGTH**		WEIGHT		MAX. OPERATING PRESSURE	
					in	cm	lbs	kg	psi	bar
54335	DCPSi-20	Body Pad	20K Port Male	9/16" MP Male	71	180	12.3	5.6	20,000	1,379
54395	DCPxSi-20	Shoulder Stock	20K Port Male	9/16" MP Male	70	177	11.4	5.2	20,000	1,379
FULLY FIELD REPAIRABLE GUN										
59299	FR-20Si	Shoulder Stock	9/16" MP Male	9/16" MP Male	70	177	11.4	5.2	20,000	1,379

*Adapters available for other connection types. See details on all connection types beginning on page I-2.

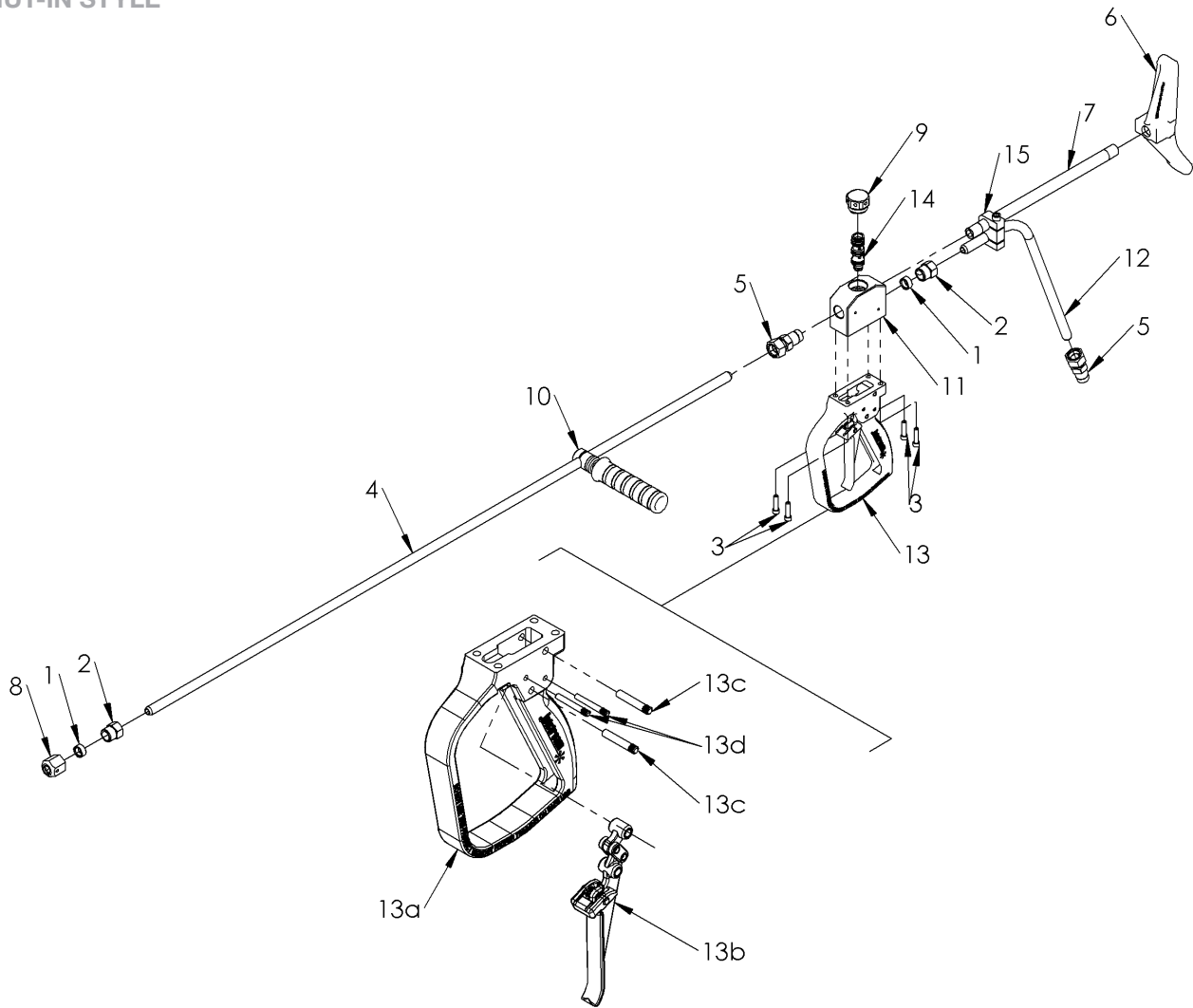
**Custom length barrels available. Call factory for information.

GUNS

20,000 PSI



**DURASAFE™ HAND GUNS
SHUT-IN STYLE**



GUNS

PART BREAKDOWN

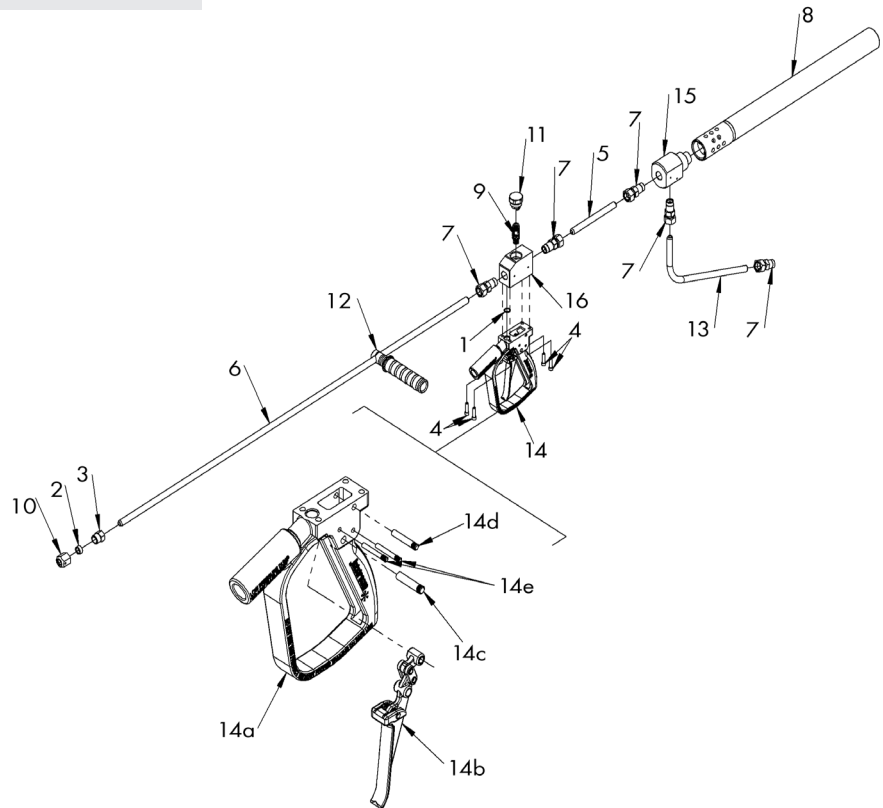
ITEM	PART NO.	DESCRIPTION	ITEM	PART NO.	DESCRIPTION
1	26635	Collar	11	57000	Body
2	26645	Gland	12	57095	Rear Barrel
3	26689	Capscrew	13	57986	Handle Assembly
4	27968-48	Front Barrel	13a	57958	Handle
5	28268	Anti-Vibe Assembly	13b	57955	Trigger Assembly
6	50124	Shoulder Stock	13c	26116	Pin, Pivot
7	50127	Shoulder Stock Extension	13d	57954	Trigger Pin
8	51874	Nozzle Sleeve	14	60420	Cartridge
9	52543	Cartridge Plug	15	61881	Clamp Assembly
10	53464	Grip Assembly			



ZERO THRUST HAND GUNS

The Zero-Thrust gun is designed for underwater cleaning in a marine environment, primarily. Due to no thrust, the operator is able to sustain a standard distance from the material needed to be cleaned without being propelled away. **Part no. 28528**

- 30 second field replacement cartridge for minimal downtime
- Corrosion resistant material

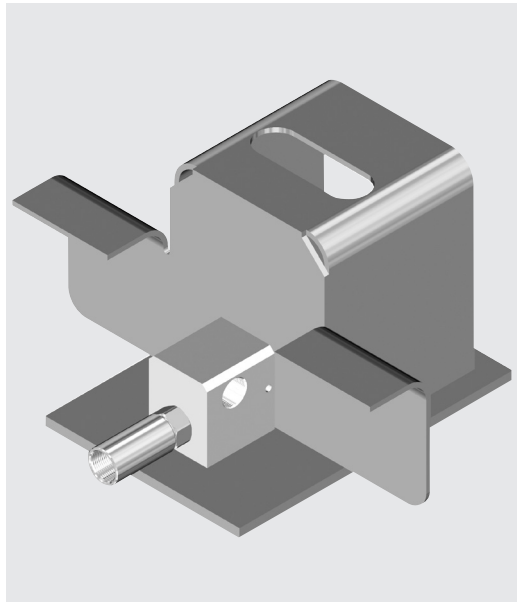


PART BREAKDOWN

REPLACEMENT CARTRIDGE

Zero Thrust Hand Gun utilizes a cartridge, to completely rebuild in about 30 seconds.
Part No. 51869

ITEM	PART NO.	DESCRIPTION	ITEM	PART NO.	DESCRIPTION
1	25193	O-Ring	11	53175	Cartridge Plug
2	26635	Collar	12	53464	Grip Assembly
3	26645	Gland	13	57095	Rear Barrel
4	26689	Capscrew	13a	57956	Handle Assembly
5	27968-06	Middle Barrel, 6"	13b	57951	Handle
6	27968-48	Front Barrel, 48"	13c	59388	Trigger Assembly
7	28268	Anti-Vibe Assembly	13d	25295	Pin
8	50511	Sub Sea Tube Baffle	14	26116	Pin, Pivot
9	51869	Cartridge	15	57954	Pin, Trigger
10	51874	Nozzle Sleeve			



DURASAFE™ FOOT GUNS DUMP STYLE

Ideal for a variety of waterblast tube cleaning applications, the DCF-20 DuraSafe™ foot-operated dump style control gun allows the operator to have complete control of the pressure at all times.

- 30 second field replaceable cartridge design for minimal downtime.
- Safest gun in the industry! Custom safety cage and thick blast wall protect operator better than any foot control gun in the industry.
- Specially designed inlet and outlet connections are superior to industry standard connections and use a replaceable seal rather than metal to metal contact.
- Built in “wings” protect high pressure and fittings from external damage.
- All pressure-bearing components are stainless steel.
- Zinc-plated base and cage for corrosion resistance.
- Threaded diffuser to route dump water for collection or disposal.
- Color coding (blue) is available as a visual aspect to the foot guns. The color is displayed on both sides to be seen from any angle. (For Visual Safety System items, see pg. H-2.)

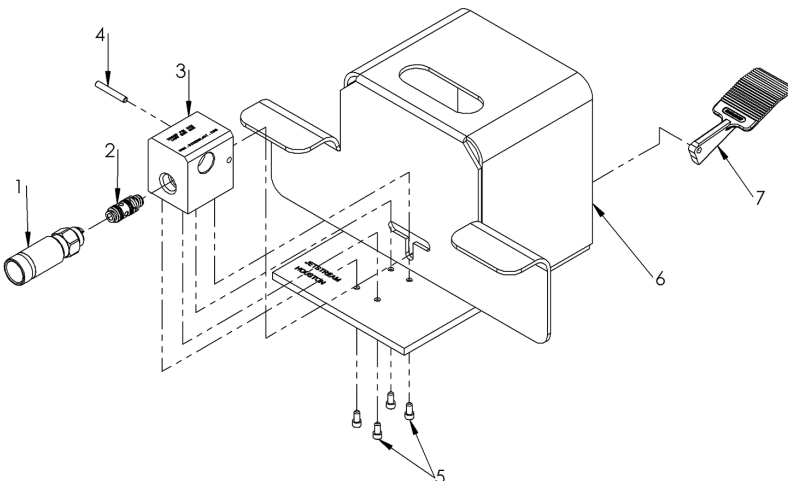
Related Items

Part No. 52390

Plug and O-Ring ring for body.
Not shown.

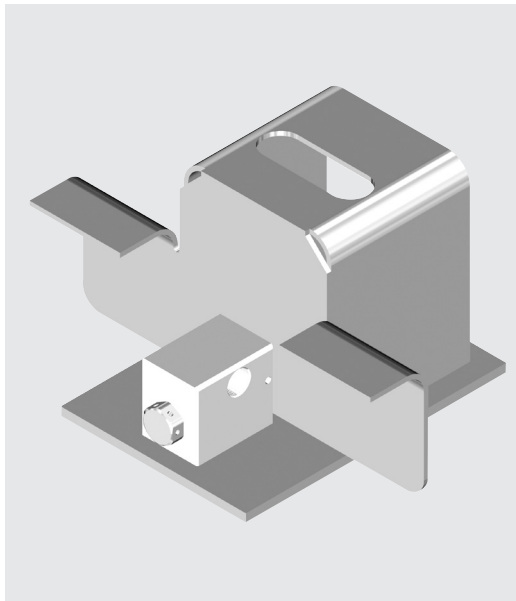
PART NO.	MODEL	INLET CONNECTION*	OUTLET (NOZZLE) CONNECTION	FLOW	DIMENSIONS (H x W x D)		MAX. OPERATING PRESSURE	
					gpm	in	cm	psi
59372	DCF-20	20K Port Female	3/4" NPT Female	30-35	8.8 x 16.7 x 9.25	223.5 x 425.4 x 234.9	20,000	1,379
59379	DCF-20 Mag Flow	3/4" MP Female	3/4" MP Female	50	8.8 x 16.7 x 9.25	200 x 380 x 320	20,000	1,379

*See details on all connection types beginning on page I-2.



PART BREAKDOWN

ITEM	PART NO.	DESCRIPTION
1	51864	Diffuser
2	51869	Cartridge
3	53369	Body
4	26453	Pin
5	25261	Capscrew
6	55432	Base
7	53373	Pedal



DURASAFE™ FOOT GUNS SHUT-IN STYLE

Ideal for a variety of waterblast tube cleaning applications, the DCFSi-20 DuraSafe™ foot-operated shut-in style control gun allows the operator to have complete control of the pressure at all times.

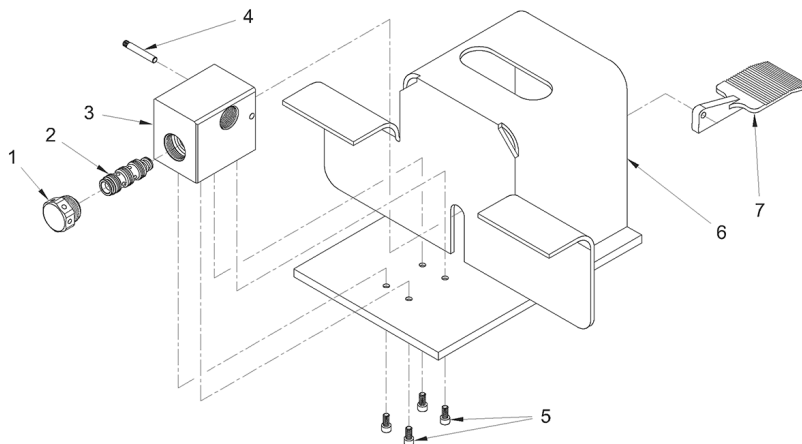
- Shut-in style control guns do not dump water when the trigger is released. Useful in applications where excess water spillage and disposal are concerns. Use with plunger style pumps such as the UNx™ require the installation of a Shut-In Regulator Valve (see page C-12).
- 30 second field replaceable cartridge design for minimal downtime.
- Safest gun in the industry! Custom safety cage and thick blast wall protect operator better than any foot control gun in the industry.
- Specially designed inlet and outlet connections are superior to industry standard connections and use a replaceable seal rather than metal to metal contact.
- All pressure-bearing components are stainless steel.
- Built in “wings” protect high pressure and fittings from external damage.
- Zinc-plated base and cage for corrosion resistance.

Related Items

Part No. 52390
Plug and O-Ring
ring for body not shown.

PART NO.	MODEL	INLET & OUTLET CONNECTIONS*	DIMENSIONS (H x W x D)		MAX. OPERATING PRESSURE	
			in	cm	psi	bar
59378	DCFSi-20	20K Port Female	8.8 x 16.7 x 9.2	223.5 x 425.4 x 234.9	20,000	1,379

*See details on all connection types beginning on page I-2.



PART BREAKDOWN

ITEM	PART NO.	DESCRIPTION
1	52543	Cartridge Plug
2	60420	CPSi-20 Cartridge
3	54392	Body
4	26453	Pin
5	25261	Capscrew
6	55432	Base
7	53373	Pedal