

CONTROL GUNS

AIR, HAND AND FOOT-OPERATED

Control guns are a necessity in any hand lancing application. Jetstream offers several options from manual to air-actuated, rotary control guns for 40,000 psi waterblasting.

QuadraBlast™ Air Gun

The Jetstream QuadraBlast air gun was produced with performance, durability and safety in mind. This gun enhances productivity while maintaining limited operator exposure to hazardous conditions due to the lightweight and mechanically-simplified design. For optimal performance, it is recommended to use this gun in conjunction with a rotating nozzle and Jetstream tumble box, multi-mode or unloader style.

- Air—the only source for triggering the flow of water
- Telescopic shoulder stock
- Minimal parts to maintain
- 32" (813mm) stainless steel lance barrel
- Spring-loaded safety
- Single or dual trigger available

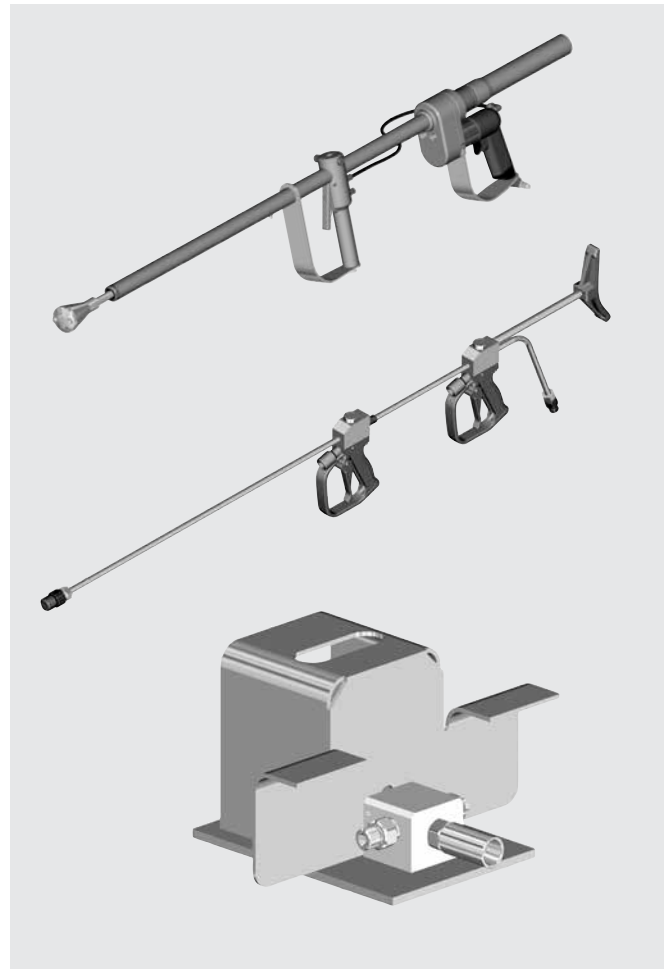
Tornado Gun

Jetstream's SP-40 Tornado Spinner Gun has been on the market for many years with proven productivity results. The dual trigger, air-powered rotating waterblast control gun is used in conjunction with a Jetstream tumble box, multi-mode or unloader style, and the Tornado nozzle or another self rotating nozzle.

- Sealed swivel assembly with heavy-duty thrust bearing and quick-change swivel seal
- All pressure bearing components are stainless steel
- Large internal air porting for quick pressure release
- Lightweight

Durasafe™ Hand Guns (Dump Style)

Designed with safety, comfort and simplicity in mind, the Durasafe™ 40,000 psi control guns are used for a variety of surface cleaning applications. The DCP models feature fully adjustable body pads for maximum operator comfort in any position (shoulder, hip, chest,

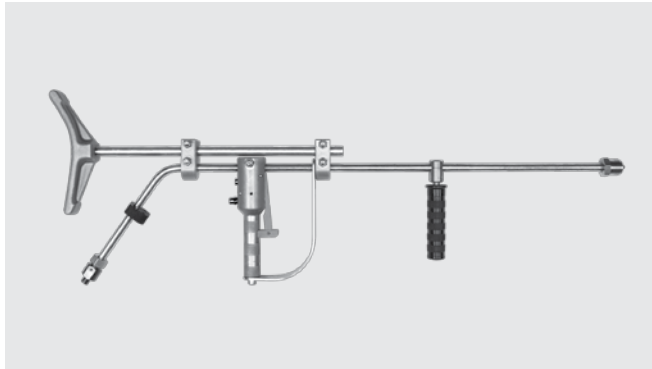


etc.). The DCPx models showcase an ergonomically designed shoulder stock. In addition to the standard welded guns, Jetstream offers a field repairable option for barrel replacement to be performed in the field. Both standard and field repairable guns are offered in single or dual trigger.

Durasafe™ Foot Gun

The Durasafe™ foot gun is ideal for numerous tube cleaning applications. A recent upgrade was the larger opening for easier boot clearance, which is now standard on all of the foot guns.

- Fast field replaceable cartridge design for minimal downtime
- All pressure bearing components are stainless steel
- Zinc-plated base and cage for corrosion resistance



NOTE: Nozzle head and nozzles not included.

QUADRABLAST™ AIR GUN

The QuadraBlast* air gun is an air actuated single or dual trigger waterblast control gun. While maintaining productivity and limiting operator exposure to hazardous conditions, this gun was designed for superior field durability. Used in conjunction with the 40K Multi-Mode.

- Telescopic shoulder stock
- Dump cartridge located away from the gun
- Spring-loaded safety
- Maintenance made easy with minimal parts
- Lightweight

*This air gun utilizes a self-rotating nozzle. The nozzle currently recommended by Jetstream is the StoneAge™ Barracuda.

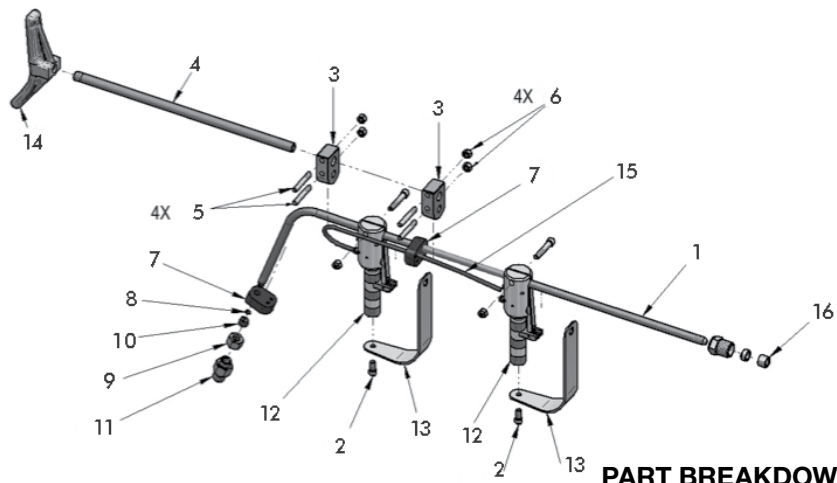
| PART NO. | TRIGGER STYLE | OVERALL LENGTH | | WEIGHT | | INLET CONNECTION* | NOZZLE CONNECTION | AIR REQUIREMENTS | | | | MAX. FLOW | | MAX. OPERATING PRESSURE | |
|----------|---------------|----------------|------|--------|------|-------------------|-------------------|---------------------|-----|----------------------|-----|-----------|------|-------------------------|-------|
| | | in | mm | lbs | kg | | | MAX. INLET PRESSURE | | MAX. AIR CONSUMPTION | | gpm | lpm | psi | bar |
| | | | | | | | | psi | bar | cfs | l/s | | | | |
| 61799 | single | 43 | 1092 | 13 | 5.9 | ** | 9/16" HP male | 120 | 8.2 | 33 | 15 | 7 | 26.5 | 40,000 | 2,750 |
| 61800 | dual | | | 16 | 7.25 | | | | | | | | | | |

**Inlet connections: Four options available; see page F-6 items 15a, 15b, 15c, 15d.

QUADRABLAST GUN PACKAGE

This package includes an air gun, a multi-mode valve, a 25ft hose with cover and a gun adapter.

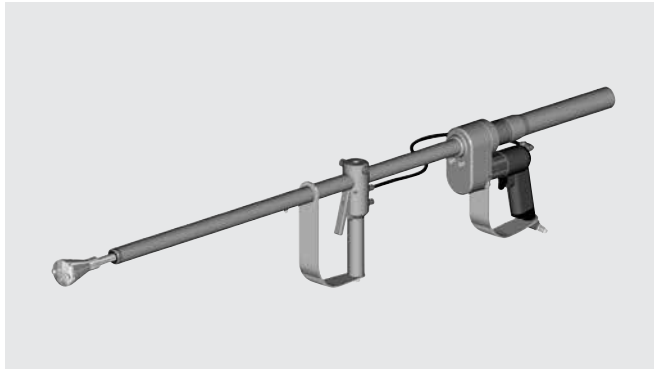
Single Trigger Package
Part No. 62190 or
Dual Trigger Package
Part No. 62191



PART BREAKDOWN

| ITEM | PART NO. | DESCRIPTION | ITEM | PART NO. | DESCRIPTION |
|------|----------|-----------------------------|------|----------|-------------------------------|
| 1 | 61674 | Barrel, Single Trigger, 36" | 10 | 52087 | Collet |
| 2 | 27714 | Capscrew | 11 | 53468 | Adapter, Rear Brl,40K |
| 3 | 61672 | Adjustable Stock Clamp | 12 | 61801 | Handle Ay, 2 Pos, 3 Way Valve |
| 4 | 61675 | Stock Extension, 18" | 13 | 61671 | Guard, Primary Trigger |
| 5 | 53303 | Stud, Cam Shoulder | 14 | 50124 | Shoulder Stock |
| 6 | 25296 | Nut | 15 | 27740 | Tubing, Plastic |
| 7 | 61673 | Rubber Air Hose Guide | 16 | 28090 | Gland |
| 8 | 27502 | O-Ring | 17 | 29903* | Case, Gun, 40K Tornado |
| 9 | 52083 | Nut, Collet | | | |

*Not shown.



SP-40 TORNADO SPINNER GUN

The SP-40 Tornado Spinner Gun, used in conjunction with the Jetstream multi-mode or unloader style tumble box, is a dual trigger, air-powered rotating waterblast control gun. Maximizing safety, serviceability and durability. Tornado Spinner Guns are designed to provide the highest level of productivity.

NOTE: Nozzle head and nozzles not included.

| PART NO. | OVERALL LENGTH | | WEIGHT | | INLET CONNECTION* | NOZZLE CONNECTION | ROTATIONAL SPEED RANGE | AIR REQUIREMENTS | | | | MAX. FLOW | | MAX. OPERATING PRESSURE | |
|----------|----------------|------|--------|-----|-------------------|-------------------|------------------------|---------------------|----------------------|-----|-----|-----------|------|-------------------------|-------|
| | in | mm | lbs | kg | | | | MAX. INLET PRESSURE | MAX. AIR CONSUMPTION | | | | | | |
| | | | | | | | | psi | bar | cfm | l/s | gpm | lpm | psi | bar |
| 53710 | 47.6 | 1210 | 10.9 | 4.9 | 3/8" HP Female | 9/16" Button Seal | 1500-3500 | 90 | 6.2 | 25 | 12 | 7 | 26.5 | 40,000 | 2,750 |
| 53880 | 56.6 | 1440 | 12.4 | 5.6 | | | | | | | | | | | |

* Gun includes adapter to connect hoses having 9/16" Type M connections. For other available fittings, see Section E.

RELATED PARTS:

Tornado Gun Package

Three optional packages are available.

Part No. 54170 includes: a 36" front barrel tornado gun, a unloader valve and a 25ft hose with cover.*

Part No. 54175 includes: a 36" front barrel tornado gun, a multi-mode valve and a 25ft hose with cover.*

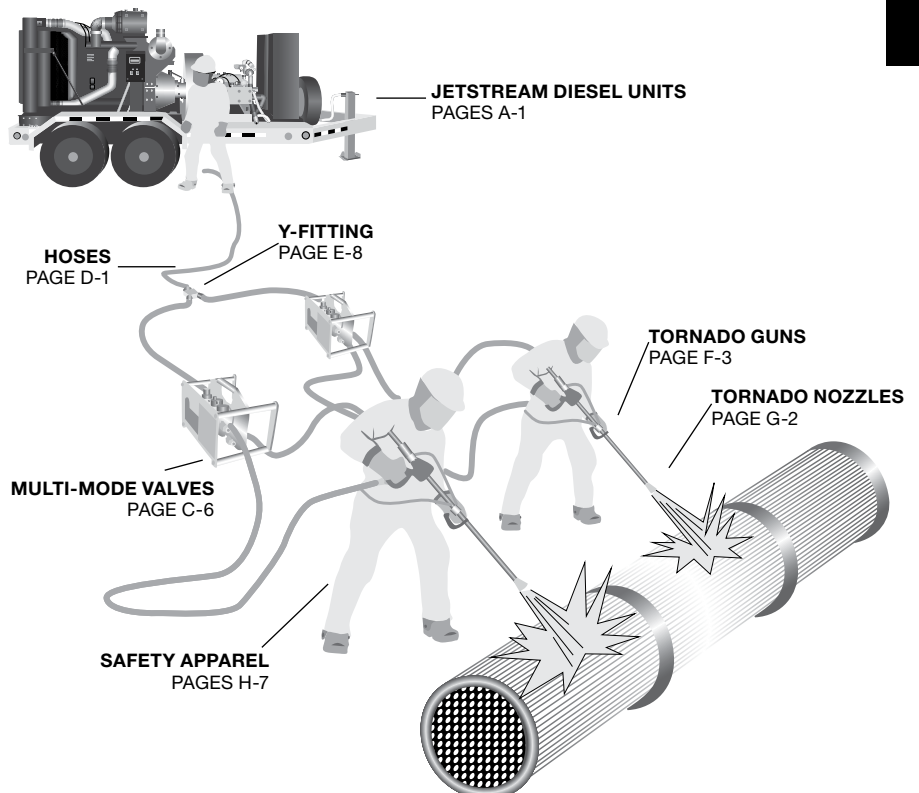
Part No. 55060 includes: a 48" front barrel tornado gun, a multi-mode valve and a 25ft hose with cover.*

*A rear barrel adapter must be added to these packages for hose connection. **Part No. 53529**

Adjustable Shoulder Stock: An adjustable shoulder stock is available for flexibility and comfort ability when using this air gun. **Part No. 60094**

MULTI-GUN APPLICATIONS

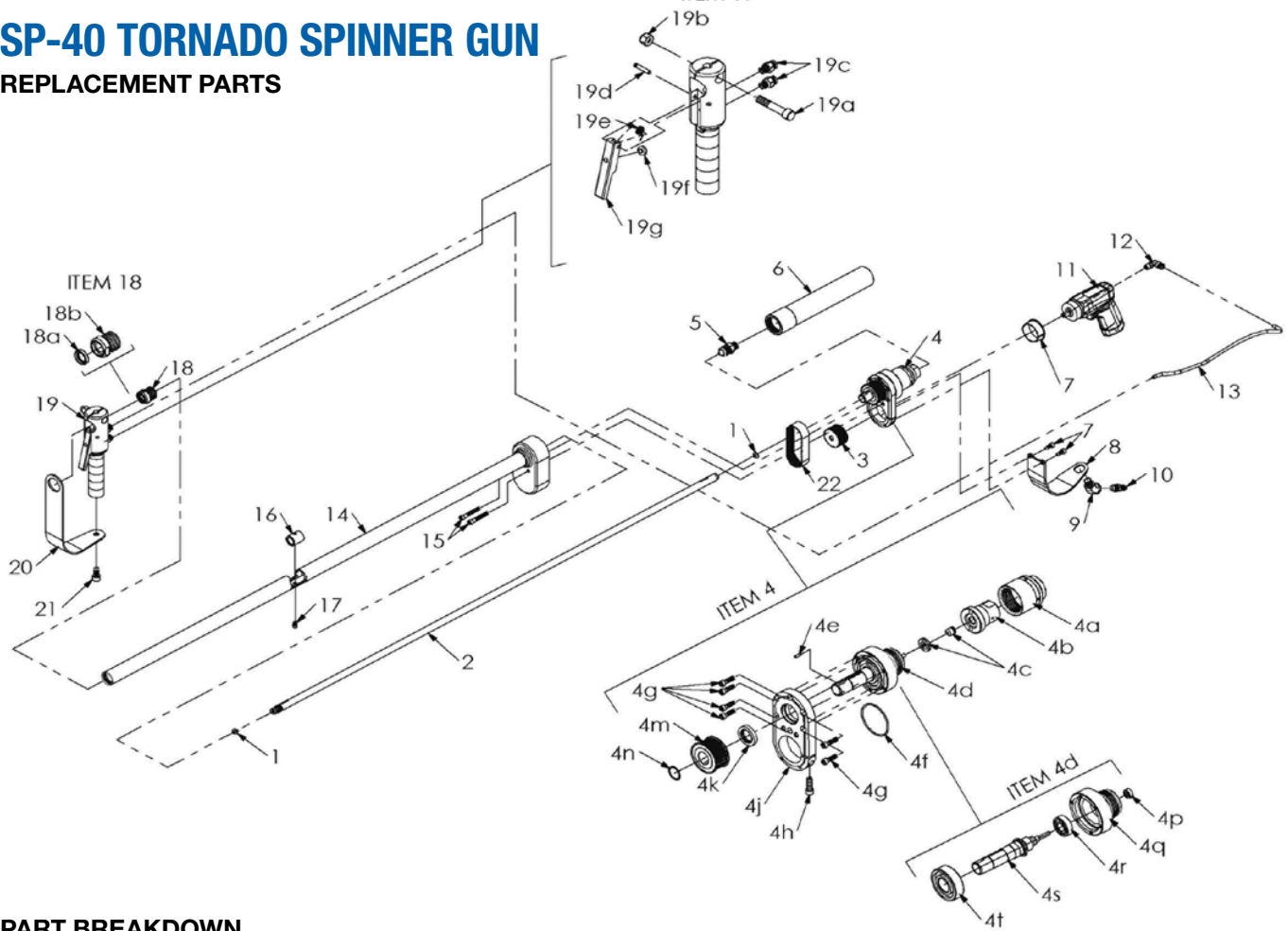
Jetstream's 40,000 psi air-operated Tornado Gun cleaning system allows the simultaneous use of multiple guns for maximum productivity in applications such as surface prep, coating removal, paint booth cleaning, stripe removal, tank cleaning, etc.



GUNS

SP-40 TORNADO SPINNER GUN

REPLACEMENT PARTS

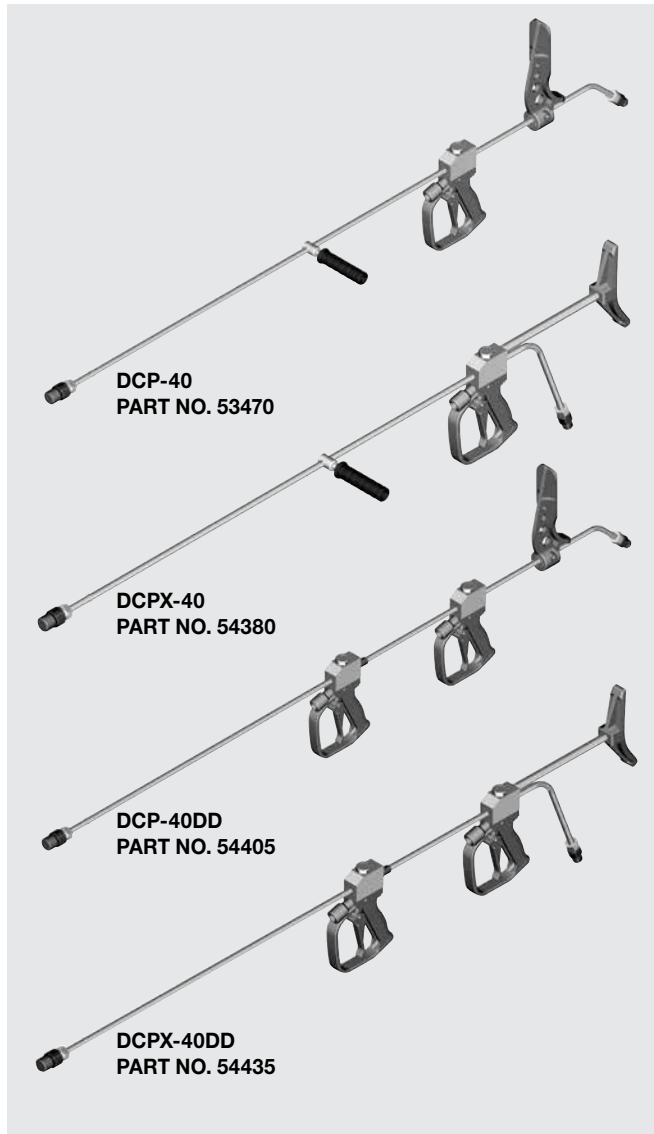


PART BREAKDOWN

| ITEM | PART NO. | DESCRIPTION | ITEM | PART NO. | DESCRIPTION | ITEM | PART NO. | DESCRIPTION |
|------|----------|--------------------|------|----------|---|------|----------------------|---|
| 1 | 54059 | Button Seal | 4q | 53704 | Swivel Housing | 18 | 53972 (with seal) | Front Barrel Bushing |
| 2 | 53701 | 36" Barrel | 4r | 27710 | Guide Bushing | 18a | 27707 | Barrel Seal |
| | 53894 | 48" Barrel | 4s | 53708 | Shaft | 18b | 53732 | Front Barrel Bushing |
| 3 | 54307 | Driver Sprocket | 4t | 27711 | Thrust Bearing | 19 | 53785 | Secondary Handle |
| 4 | 53973 | Swivel Assembly | 5 | 27530 | Adapter, 3/8" High Pressure Male x 9/16" Type M Male | 19a | 53762 | Clamp Stud |
| 4a | 53711 | Swivel Nut | 6 | 53723 | Burst Shield | 19b | 25296 | Nut |
| 4b | 53709 | Inlet Adapter | 8 | 29808 | Trigger Guard | 19c | 27732 | Tubing Adapter |
| 4c | 53775 | Seal Kit | 9 | 28224 | Elbow | 19d | 53787 | Pin |
| 4d | 54230 | Swivel Rebuild Kit | 10 | 28223 | Male Quick Disconnect Fitting | 19e | 53798 | Spring |
| 4e | 27277 | Pin | 11 | 29535 | Air Motor | 19f | 27719 | Bumper |
| 4f | 27883 | O-Ring | 12 | 27733 | Elbow | 19g | 53761 | Trigger |
| 4g | 27716 | Capscrew | 13 | 27740 | Tubing (Order in Feet) | 20 | 27662 | Trigger Guard |
| 4h | 27713 | Capscrew | 14 | 54484 | 36" Barrel Housing | 21 | 27714 | Capscrew |
| 4j | 53703 | Mounting Plate | 14 | 54486 | 48" Barrel Housing | 22 | 27661 | Belt |
| 4k | 27708 | Shaft Seal | 15 | 27717 | Capscrew | 23** | 60094 | Adjustable Shoulder Stock (Optional) |
| 4m | 53782 | Driven Sprocket | 16 | 53771 | Center Barrel Bushing* | 24** | 60095 | Shoulder Stock Extension |
| 4n | 27712 | Retaining Ring | 17 | 27492 | Grease Zerk* | 25** | 60098 | Shoulder Stock Clamps |
| 4p | 27709 | Shaft Seal | | | | | | |

*48" barrel model uses two center barrel bushings and two grease zerks. 36" barrel model uses one of each. **Not Shown

GUNS



DURASAFE™ HAND GUNS HAND CONTROL DUMP STYLE

DuraSafe™ 40,000 psi control guns allow the operator to have complete control of the pressure at all times.

- Replaceable cartridge design for minimal downtime.
- 48" distance from primary trigger to end of barrel to ensure maximum operator safety.**
- Lightweight.
- Adjustable secondary grip included with single trigger models.
- Dual trigger models require both triggers to be engaged in order to build system pressure for maximum operator safety.
- All pressure-bearing components are stainless steel.
- Equipped with holder for single nozzle.
- Ideal for use with self-rotating nozzles.
- Fully field repairable guns available. No barrel weldments allows for gun maintenance to be completed on the job.
- Optional color coded guns include the orange colored barrels, handle and a 40,000 psi decal on the body. (See page H-2 for other color coded parts.)

GUNS

| STANDARD, WELDED GUNS | | | | | | | | | |
|---|-----------|-------------------|----------------|------------------------------|-------------------|----------|-----|-------------------------|-------|
| PART NO. | MODEL | TRIGGER ACTUATION | REST TYPE | INLET CONNECTION* | OUTLET CONNECTION | LENGTH** | | MAX. OPERATING PRESSURE | |
| | | | | | | in | mm | psi | bar |
| 53470 | DCP-40 | Single | Body Pad | Various - Ordered Separately | 9/16" HP Male | 71 | 180 | 40,000 | 2,750 |
| 54380 | DCPx-40 | Single | Shoulder Stock | | | 66 | 167 | 40,000 | 2,750 |
| 54405 | DCP-40DD | Dual | Body Pad | | | 75 | 190 | 40,000 | 2,750 |
| 54435 | DCPx-40DD | Dual | Shoulder Stock | | | 70 | 177 | 40,000 | 2,750 |
| FULLY FIELD REPAIRABLE GUNS | | | | | | | | | |
| 56995 | FR-40SD | Single | Shoulder Stock | Jetstream 40K | 9/16" HP Male | 66 | 167 | 40,000 | 2,750 |
| 56991 | FR-40DD | Dual | Shoulder Stock | | | 66 | 167 | 40,000 | 2,750 |
| ORANGE COLOR CODED – FULLY FIELD REPAIRABLE GUN | | | | | | | | | |
| 61423 | FR-40SD | Single | Shoulder Stock | Jetstream 40K | 9/16" HP Male | 66 | 167 | 40,000 | 2,750 |

*Adapters available for typical connection sizes and types. See replacement parts, Item 15, on the following page.

**Custom length barrels available. Call for information.

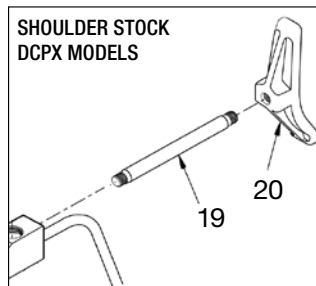
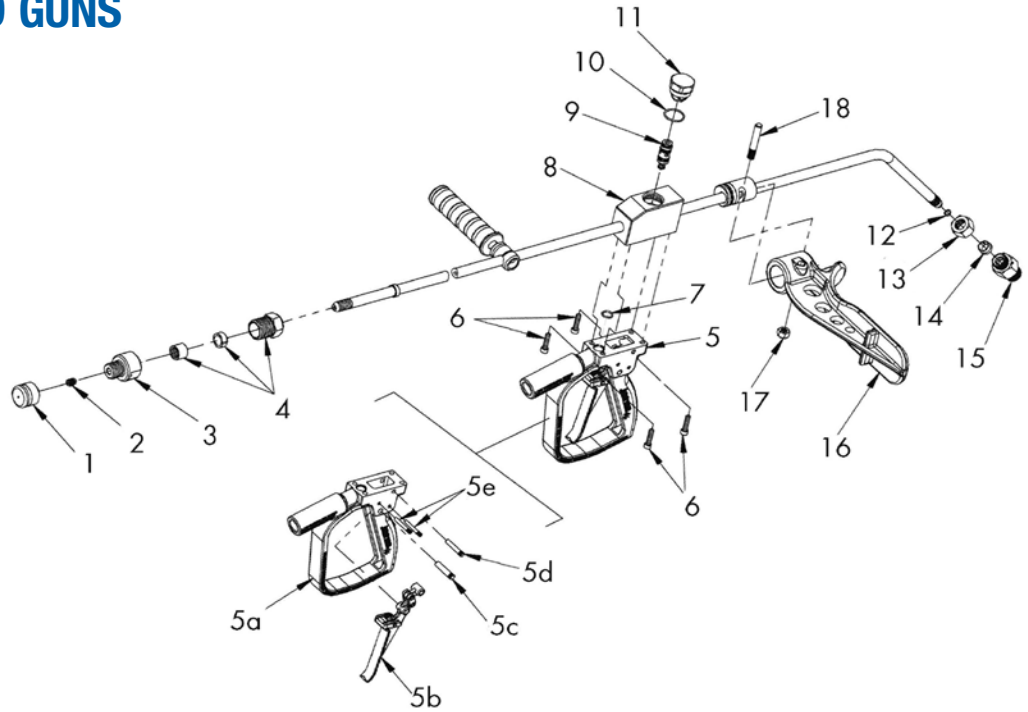
GUNS

40,000 PSI



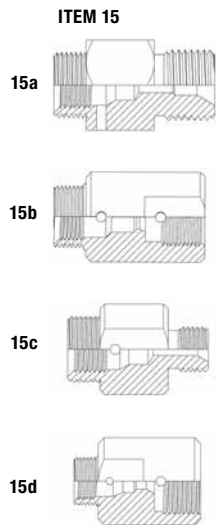
DURASAFE™ HAND GUNS

REPLACEMENT PARTS



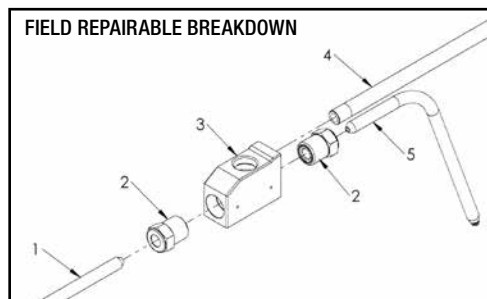
PART BREAKDOWN

GUNS

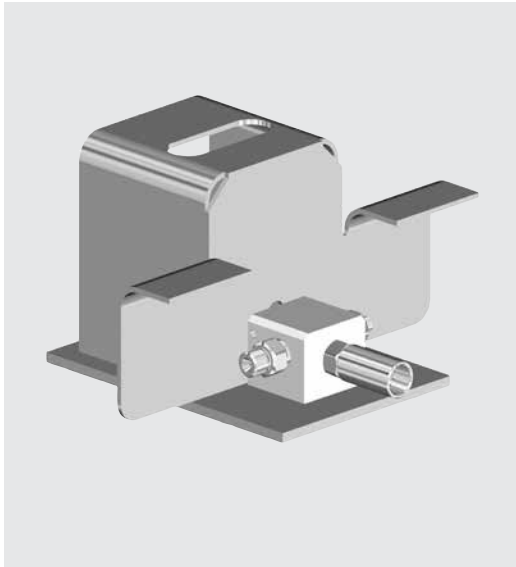


| ITEM | PART NO. | DESCRIPTION | ITEM | PART NO. | DESCRIPTION |
|------|----------|--------------------------|------|----------|--------------------------------------|
| 1 | 53537 | Nozzle Holder Cap | 11 | 53175 | Cartridge Plug |
| 2 | 53502 | UHP Nozzle Retainer | 12 | 27502 | O-Ring |
| 3 | 53536 | Nozzle Holder | 13 | 52083 | Collet Nut |
| 4 | 28090 | Anti-Vibration Gland Set | 14 | 52087 | Collet |
| 5 | 57956 | Handle Assembly | 15a | 53468 | Rear Barrel Adapter, Type M-14 Male |
| 6 | 26689 | Capscrew | 15b | 54446 | Rear Barrel Adapter, 9/16" HP Female |
| 7 | 25193 | O-Ring | 15c | 53529 | Rear Barrel Adapter, Type M-9 Male |
| 8 | 53465 | DCP-40 Body Assembly | 15d | 53534 | Rear Barrel Adapter, 3/8" HP Female |
| | 54385 | DCPx-40 Body Assembly | 16 | 53304 | Shoulder Stock (DCP models only) |
| | 54410 | DCP-40DD Body Assembly | 17 | 25296 | Nut (DCP models only) |
| | 54440 | DCPx-40DD Body Assembly | 18 | 53303 | Stud (DCP models only) |
| 9 | 53475 | Cartridge | 19 | 50127 | Extension (DCPx models only) |
| 10 | 25467 | O-Ring | 20 | 50124 | Shoulder Stock (DCPx models only) |

PART BREAKDOWN



| ITEM | PART NO. | DESCRIPTION |
|------|----------|-------------------------------|
| 1 | 54209-48 | Front Barrel (Single Trigger) |
| | 54209-36 | Front Barrel (Dual Trigger) |
| 2 | 28090 | Anti-Vibration Gland Set |
| 3 | 56997 | FR-40SD/DD Body Assembly |
| 4 | 51098-12 | Extension |
| 5 | 56996 | Rear Barrel |
| 6 | 54209-14 | Center Nipple (Not Shown) |



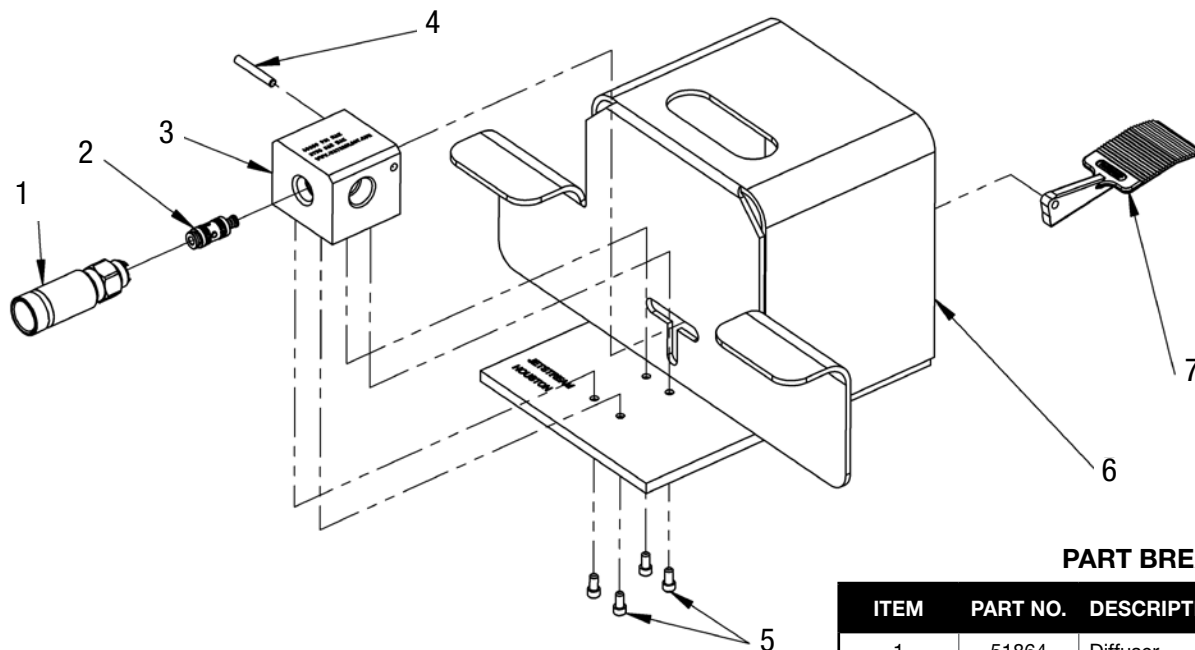
DURASAFE™ FOOT GUN

Ideal for a variety of waterblast tube cleaning applications, the Durasafe™ DCF-40 foot-operated control gun allows the operator to have complete control of the pressure at all times.

- Custom safety cage and thick blast wall protect operators better than any foot control gun in the industry
- Built in “wings” protect high pressure end fittings from external damage
- Color coding (*orange*) is available as a visual aspect to the foot guns. The color is displayed on both sides to be seen from any view. (*For additional Visual Safety System items, see page H-2*)

| PART NO. | MODEL | INLET & OUTLET CONNECTIONS* | DIMENSIONS (H x W x D) | | WEIGHT | | MAX. OPERATING PRESSURE | |
|----------|--------|-----------------------------|------------------------|-----------------|--------|------|-------------------------|-------|
| | | | in | mm | lbs | kg | psi | bar |
| 59373 | DCF-40 | Jetstream 40K Port Female | 7.9 x 14.8 x 12.7 | 200 x 380 x 320 | 26.2 | 11.9 | 40,000 | 2,750 |

*Adapters available for other connection sizes and types. See replacement parts below.



PART BREAKDOWN

| ITEM | PART NO. | DESCRIPTION |
|------|----------|----------------|
| 1 | 51864 | Diffuser |
| 2 | 53475 | C-40 Cartridge |
| 3 | 53546 | Body |
| 4 | 26453 | Pin |
| 5 | 25261 | Capscrew |
| 6 | 55432 | Base |
| 7 | 53373 | Pedal |